



### QUESTIONS?

Toll Free 1-800-317-1688

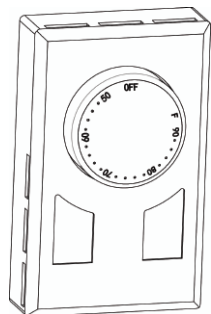
Email: Service@drheaterusa.com

Address : 9293 Beatty Dr, Sacramento, CA 95826



## WALL THERMOSTAT

Model: DR-001



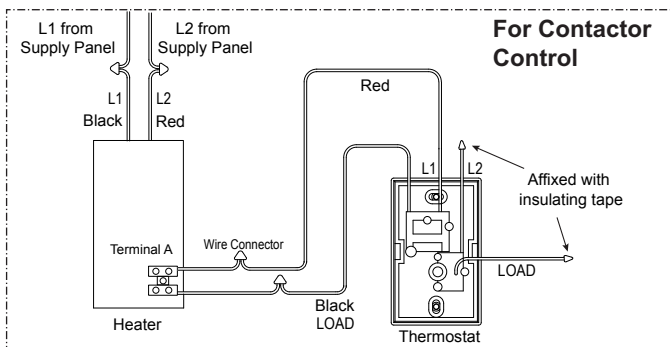
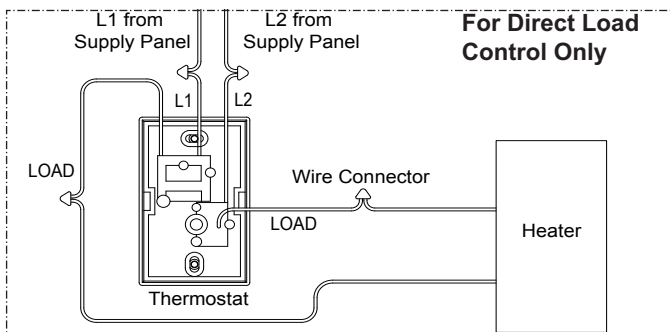
**READ ALL WIRE SIZING, VOLTAGE REQUIREMENTS AND SAFETY DATA TO AVOID PROPERTY DAMAGE AND PERSONAL INJURY OR ELECTRIC SHOCK.**

**READ CAREFULLY** - These instructions will help prevent difficulties that might arise during thermostat installation. Studying the instructions first may save considerable time and money later. Observing the following procedures will keep installation time to a minimum. Save these instructions for future use.

### READ AND SAVE THESE INSTRUCTIONS

#### Direct Load and Contactor Control Thermostat Installation

1. Disconnect power supply to prevent electrical shock or damage to product before installation. Recommend opening the Main breaker from power panel to disconnect power.
2. Run line voltage wires to the thermostat location.
3. The connection for **Direct Load Control (DLC)** is :
  - \*\*\*Connection from thermostat to the heating unit:
  - a) Connect one BLACK load wire from the thermostat to one of the line wire from the heating unit.
  - b) Connect the other BLACK load wire from the thermostat to the other line wire from the heating unit
  - \*\*\*Connection from the thermostat to the supply panel:
  - a) Connect the RED line wire from the thermostat (L1) to L1 line from the supply panel.
  - b) Connect the other RED line wire from the thermostat (L2) to L2 line from the supply panel.
4. The connection for **Contactor Control** is :
  - a) Use two 16AWG wires (not included) to Terminal A inside the



heater. (See example in diagram.)

b) Connect one RED line wire from the thermostat to one 16AWG line wire from the Terminal A. Then connect the BLACK load wire from the thermostat to the other 16AWG line wire from the Terminal A.

c) The other line wires from the thermostat should be affixed with insulating tape.

5. Make sure all connections are secured, and no exposed wiring.
6. Insert wires into the junction box, make sure not to damage wiring.
7. Secure the ground wire to the ground screw provide in junction box.
8. Remove the thermostat cover by grabbing the cover from the sides and pull it away from the base.
9. Mount the thermostat into the junction box and secure using the provided screws.
10. Replace thermostat cover.

The installation of the thermostat must comply with the applicable local and/or national electrical code and utility requirements. This installation should be performed by a qualified electrician where required by law. Ensure that all wiring connections to the thermostat are correct and tight to prevent electrical shorts. Use the appropriate wire to meet local and national electrical codes for rated power consumption.

#### Product Setup and Settings

To adjust the temperature to your requirements, turn the dial on the thermostat clockwise all the way to turn heater on. When the room reaches the desired temperature, turn the thermostat knob counter clockwise until you hear the click. Leave in this position to maintain the room temperature at this setting. For additional heat, turn clockwise until you hear the click and the heater will turn on.

- Turning knob fully counter clockwise will disconnect the power to the heater.

Changing °C and °F control dials.

Use a small flathead screwdriver to pry off the control dial. Insert into one of the slots on the dial and gentle apply pressure to remove. To install the new control dial, line up the pins on the dial with the holes on the thermostat knob. Push together until secured into place.

#### Specifications:

Thermostat is compatible with electric heaters and electric garage heaters

Power Supply AC 120V / 208V / 240V / 277V Maximum Power:

3360W @ 120VAC (28A)

5824W @ 208VAC (28A)

6720W @ 240VAC (28A)

7756W @ 277VAC (28A)

Sensing Element: Bimetal Temperature Operating Range:

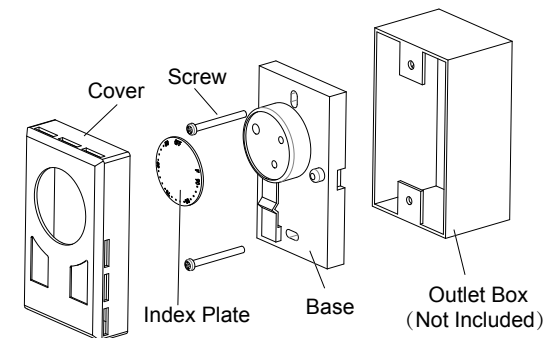
41°F-90°F (5°C -32°C)

cETLus listing.

#### Functions And Features

- 120/208/240/277 Volts
- Includes both °C and °F control dials
- Wall mount design- Sits flush against wall
- Double terminals – provides positive OFF position
- Disconnects power for extra protection
- Large knob allows easy adjustment to all temperatures
- 90°F (32°C) maximum setting

#### Installation Instructions



**Warning:** Turn OFF the power at the circuit breaker before installing. Installation should be performed by a qualified electrician. Refer to thermostat and heater load specifications before installation of the thermostat to see if it can handle the amp load. The maximum this thermostat can run is 7756 Watts at 277 Volts, 6720 Watts at 240 Volts, 5824 Watts at 208 Volts and 3360 Watts at 120 Volts.

Install unit in a grounded metal or plastic wall junction box, indoors 4 ½' to 5' above the floor. Avoid any area where it can come in to contact with external sources of heat and cold. This includes plumbing pipes, direct sunlight, a T.V. set, lamps, and drafts from a door or window, as this may cause inaccurate temperature readings. The most convenient place is above the light switch. Not for outdoor use.